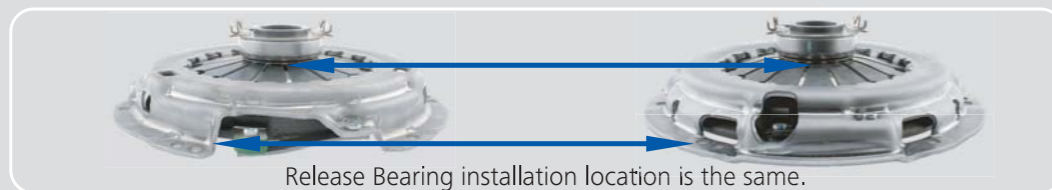
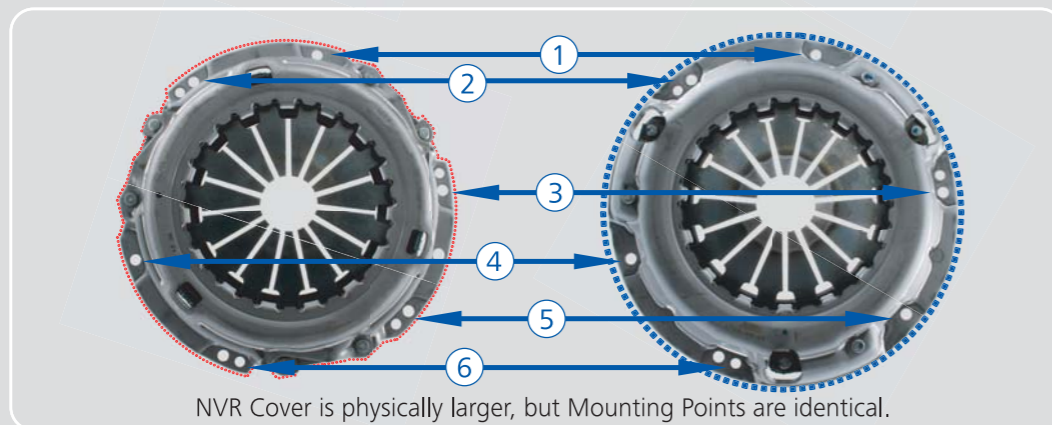
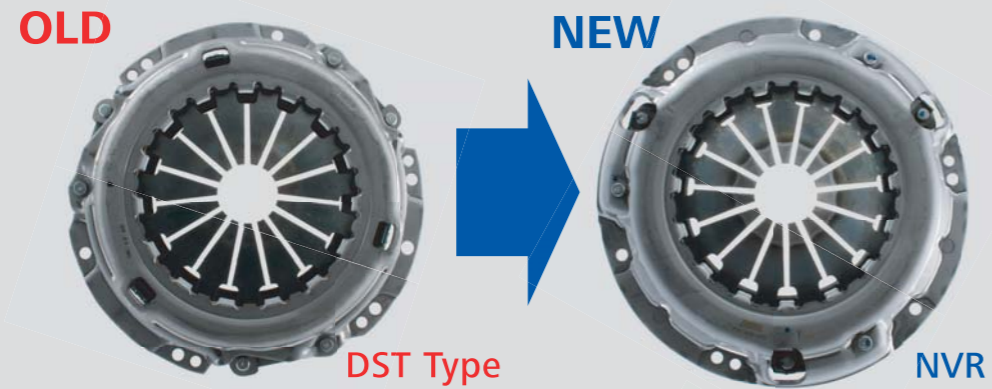


## TECHINICAL BULLETIN

DST Type vs. New NVR Technology

AISIN is converting the older Diaphragm Spring Type (DST) Clutch Cover into the newest Noise Vibration Reduction Type (NVR) Technology. Since the Original Equipment Clutch Systems that AISIN supplies for the Automotive Manufacturers are being converted to the new technology, AISIN Aftermarket is following their lead. Although they may look physically different, it is just an illusion. The NVR Cover fitment is identical to the older DST Type, except with technological improvements in function, durability and driveability.



## TECHINICAL BULLETIN

DST Type vs. New NVR Technology

